

Mercury EP1501 Intelligent Controller

The EP1501 is an edge-capable intelligent controller that is expandable up to 8 downstream SIO controllers and up to 16 MR51e network ready door controllers (for a total of 16 doors/openings).

Built on the Authentic Mercury platform, the feature-rich EP1501 provides a small footprint, cost-effective dual card reader panel for controlling a single opening. Easy installation with Power over Ethernet (PoE) makes the high performance, Ethernet ready EP1501 a top choice for a single-door controller.

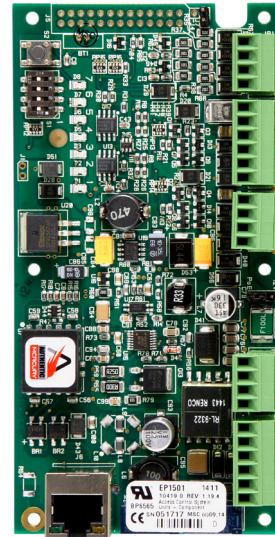
Once configured, the intelligent controller functions independently of the host and can control access and manage sophisticated device processes (such as anti-passback and point linking) both onboard and downstream of the EP1501 without host intervention.

Offering powerful flexibility, the Mercury EP1501 can interface with an array of reader technologies for a single opening. The controller supports separate in/out readers and technologies: Wiegand, clock and data, RS-485, OSDP, magnetic stripe, F/2F, Supervised F/2F Readers, keypads, LCD, and biometrics.

The EP1501 provides the versatility and reliability needed to deliver powerful innovation for system success and at the system's edge when needed.

Application Notes

The EP1501 seamlessly interfaces a single opening to a larger system (up to 16 openings) for easy expansion. Providing all of the intelligence and functionality of the Mercury family of controllers, the EP1501 is PoE capable and sets the standard for powerful, reliable performance, all at an economical price points.



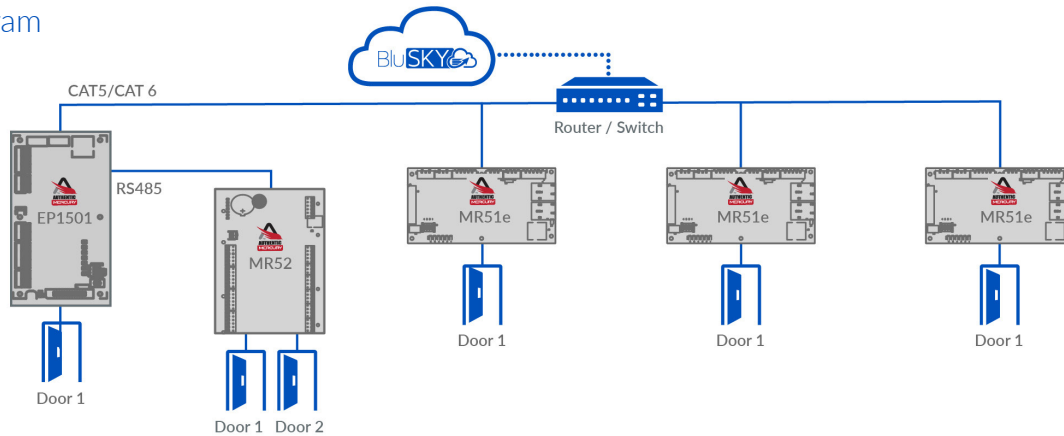
Features

- Multi-operating system interface
- Multi-card format support
- Multi-reader technology support
- AES 256 bit data encryption
- UL 294 and UL 294B Recognized
- Alarm keypad support
- Function key support
- Biometric template support

Benefits

- Connects to a BluSKY™ host for increased programming flexibility
- Supports a range of wired and wireless reader technologies
- Securely scales from one to 16 doors/openings
- PoE enabled for full support of device and door peripherals

System Diagram



Specifications

Power Input:

PoE Power Input 12.95W, compliant to IEEE 802.3af or 12VDC \pm 10% 900 mA maximum power supply.

Power Output: 12VDC @ 650mA including reader and AUX output

Reader Interface:

Reader Power: PoE: 12 VDC \pm 10% or local power supply (12VDC). (PTC limited 180mA max) Inputs: 2 general purpose programmable circuit type, and dedicated tamper

Outputs: 2 relays Form C, 2A @ 30VDC

Reader Ports:

Two TTL reader ports or one 2-wire RS-485 reader port capable of supporting two readers.

Keypad: Multiplexed with card data

LED: TTL compatible

Buzzer: Only with 'one-wire' LED

Dimensions:

- Without Bracket - 5.5" (140mm)W x 2.75" (70mm)L x 0.96" (24mm)H
- With Bracket - 5.5" (140mm)W x 3.63" (92mm)L x 1.33" (34mm)H

Temperature: 0-70°C operational, -55-85°C storage

Humidity: 10-95% RHNC

Ordering Information

MFG Part #	BluBØX Order #	Description
EP1501	120-1000	Mercury - EP1501_One Door DB Controller Ethernet PoE/12V

Connectivity

Primary Port: 10/100 Ethernet

Door Control:

One physical barrier can be controlled using single or paired readers. Two reader ports: Mag, Wiegand, or RS-485 (RS-485) on one reader port capable of supporting two readers. Two supervised inputs, two relays. Diagnostic LEDs. Dedicated tamper input.

Access Control:

- 240,000 Cardholders, 50,000 Transaction buffer.
- 32 Access Levels per cardholder.
- 19 digit (64-bit) UserId and 15 digit PIN numbers max.
- Activation/Deactivation Dates.
- If/Then Macro capability

Card Formats:

- 8 active card formats per EP1501.
- Anti-passback support, hard, soft, or timed forgiveness.

Alarm Management:

- Normally open/Normally closed, unsupervised, supervised.
- Standard or custom end-of-line resistances.

Standards:

UL 294 and UL 294B Recognized, CE Compliant, ROHS, FCC Part 15 Class A, NIST Certified Encryption

BluBØX: Security Re-Imagined

www.blub0x.com

e. info@blub0x.com

p. (844) 425-8209

FOLLOW US ON  

BluBØX Security, Inc. is a manufacturer and service provider of web-cloud based physical security products. Its BluSKY service delivers enterprise class unified access control, alarm management, video surveillance, biometrics and visitor management on any device, anywhere, any time. Its BluCHIP open hardware platform provides industry standard components and a proprietary line of fully integrated multi-factor, multi-biometric Person Readers.