

LifeSafety Power NL4

Four Port Network Communication Interface for Remote Power Monitoring, Reporting and Control

The LifeSafety Power Netlink™ module is part of FlexPower's patented power management system for security and life safety applications.

NL4 is a four data port network module that communicates and controls power status over a local or wide area network. The NL4 provides four SPI ports for connection to FlexPower devices that enables monitoring and control of the power system. Typical data gathered and reported includes operational fault status, power supply output voltage, battery charging voltage, battery charging current, and fire alarm input status.

Automated reports may be generated on any detected fault condition, battery aging, fire alarm interface activation, and event activation, or on a time base for scheduled confirmation of proper operation. A time and date stamped log of the past 1000 events is kept as history in a buffer and may be accessed as a scheduled report, or immediately on an alert or occurrence. The buffer is updated once per hour with all parameters in normal range.

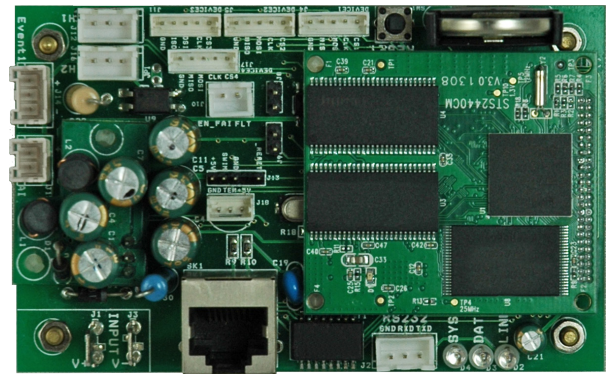
In addition to four SPI connections, the NL4 provides two current sensor inputs, a remote temperature sensor input, a volt meter input, and a contact monitor input. The current, voltage, and temperature sensors may be given upper and lower limits to trigger an alert if the measured value goes out of range. The contact monitor input may be programmed to respond to either a normally open or normally closed contact or voltage presence or loss. Two outputs are also provided for use in power cycling external equipment with RB relay modules or interfacing to the C4, C8, or M8 modules.

Agency Listings/Standards

USA: UL 2044, UL 294, UL 60950-1

Electrical Ratings

Parameter	Rating
Input Operating Voltage	9 to 30 VDC
Input Operating Current	60 mA nominal
Network Data Rate	10/100 Mbps
Voltage Measurement Range	1 to 30 VDC ±5%
Current Measurement Range	0 to 20A ±0.1A +5% of reading
Event Input	9 to 32 VDC
Output 1, 2 Max Sink Current	50 mA nominal



Features

Monitoring and reporting FlexPower systems for

- System integrity / battery health / output condition
- 1000 Event Buffer

Remote diagnostics and service features

- Monitor health and status of host power supply, battery set, and up to twenty four individual outputs* (*requires M8 module)
- Auto-schedule, test, and report battery standby time
- Remote supervision of battery's state of charge
- Monitoring internal cabinet temperature
- Monitoring external room temperature with over temp alert
- Remote power cycling control of external equipment
- Time/Date stamp log reports last 1000 events

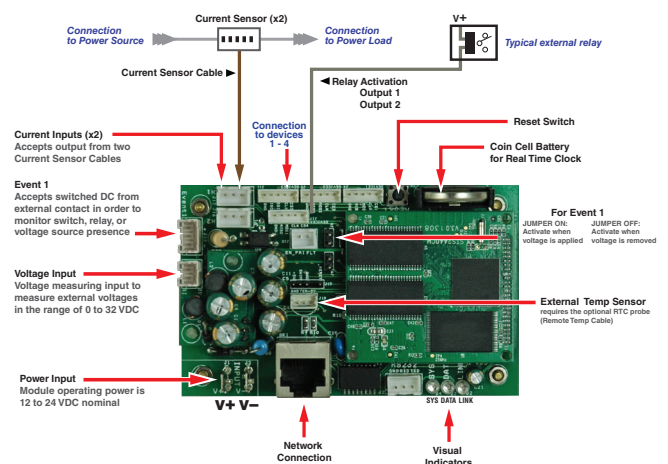
Email notification on

- AC and system fault conditions
- Aging or drained battery
- Fire Alarm Interface (FAI) activation
- External room temperature outside preset limit
- External Event activation
- Output condition (requires M8 module)
 - Over voltage or over current | voltage loss | output power cycled

SNMP set and trap notification

- Version 1, 2, or 3

Module Connections



Monitoring / Reporting / Test / and Control Functions

Monitored Parameters	Programmable Functions	Event-triggered Email Alerts & Reports
Power Supply Output Voltage	AC Fault Delay	AC or System Fault Occurrence
AC Fault Status	System Fault Delay	System Fault Occurrence
System Fault Status	System Install Date	FAI Activation Occurrence
Fire Alarm Input Status	Reset Fault Counters	Low Battery Occurrence
Battery Voltage	Optimal Battery Charge Current	Battery Load Test Completed
Battery Charge Current	Reset Battery Age Counter	General System Status Report
Battery Age	Battery Replacement Period	Scheduled System Service Due Alert
Total Number of System Faults	Temperature Probe Trigger Parameters	Battery Replacement Due Alert
Total Number of AC Faults		Event Activation Alert (user specified)
DC Load Current (system or battery)		
DC Output Voltage (system and battery)		
Event 1 (user specified)		

Control Functions	Test Functions
Output 1 (on or off)	Battery run time capacity
Output 2 (on or off)	Battery state of charge

NL4 Browser Home Screen

Network Dashboard

- Internal / external temperature sensors
- Current sensor reading
- Voltage sensor reading
- Event activation condition
- Service due report
- System log report
- Device on/off control

NL4 connected devices

- One or two power supplies
- Visual status of device condition

Report Screen

- Set up screen
- What to report, when to report

Configure Screen

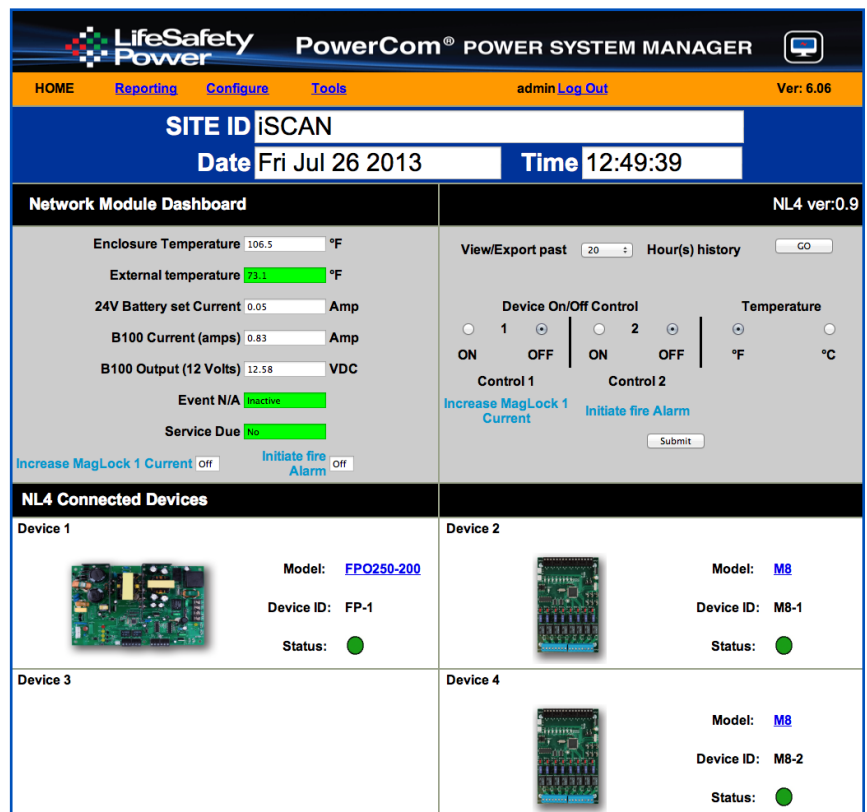
- Network, email, SNMP settings
- Current sensor calibration
- Battery life/capacity setting

Programming Screen

- Set FPO battery charge current
- Set fault report delays
- Reset timer for new battery instal
- Reset fault counters

Tools Screen

- Upgrade software
- System reboot
- System activity log



See NL4 installation manual for comprehensive guide to features

Ordering Information

MFG Part #	BluBØX Order #	Description
NL4	670-2100	LSP NL4 Remote Power Monitoring & Management Module supports 4 FPO devices
Mechanical Information		Size: 4" x 2.5" x 1.5" Weight: .25 lb.

- Provided with cables and mounting hardware

BluBØX: Security Re-Imagined

www.blub0x.com
 e. info@blub0x.com
 p. (844) 425-8209

FOLLOW US ON

BluBØX Security, Inc. is a manufacturer and service provider of web-cloud based physical security products. Its BluSKY service delivers enterprise class unified access control, alarm management, video surveillance, biometrics and visitor management on any device, anywhere, any time. Its BluCHIP open hardware platform provides industry standard components and a proprietary line of fully integrated multi-factor, multi-biometric Person Readers.